

## CDU 10.3

- 10.3" TFT Display
- Fully configurable display
- Fully configurable RGD LEDs
- USB Ethernet logging
- 1000nit daylight readable



Image is for illustration purpose only

Cosworth's CDU range of displays continues to grow with the new 10.3. The CDU 10.3 incorporates a high resolution, daylight readable 1000nit display which has a resolution of 1280 x 480. Despite the overall size of the CDU10.3 the wider ratio of resolution results in the CDU10.3 having an ideal ratio for motorsport and other such like applications. Configuration is controlled over Ethernet via a Cosworth device resulting in the template, display, LEDs and brightness are all fully configurable. The CDU 10.3 also features USB logging available over Ethernet from a Cosworth device meaning Cosworth data files can now be pushed to a USB via the CDU 10.3. All of this is packaged in an ultra slim aluminium case of only 23mm thick.

### Electrical Data

Operating Voltage	6 to 32V
Current Consumption	2.25A @ 13.5V
Operating Temp	-10°C to + 70°C
Storage Temp	-20°C to + 70°C

### Communication

Ethernet	2x 100MB/S
USB	

### Mechanical Data

Size	283.4 x 122.2 x 23.19 mm
Weight	874 grams
Environmental	IP66
Material	6802-T2 Anodized
Vibration	Cosworth DV-V(c)

### Ordering Information

01D-640060	CDU 10.3
CDU 10.3 Bench Loom	TBC

### Display Data

Screen	TF T LCD active matrix
Resolution	1280 x 480 QVGA
Viewable Area	243.84 x 91.44mm
Contrast Ratio	900
Brightness	1000 nit
Display Colours	16.8M
Viewable Angle	D90 ° U 80° L&R 90°
LEDs	24x RGS LEDs

### Compatible Devices

Badenia 2	01L-650078
Badenia 5	01L-650080
Centaurus 5	01I-610100
CLU	01L-650001
Antares	01E-501120

### Software Information

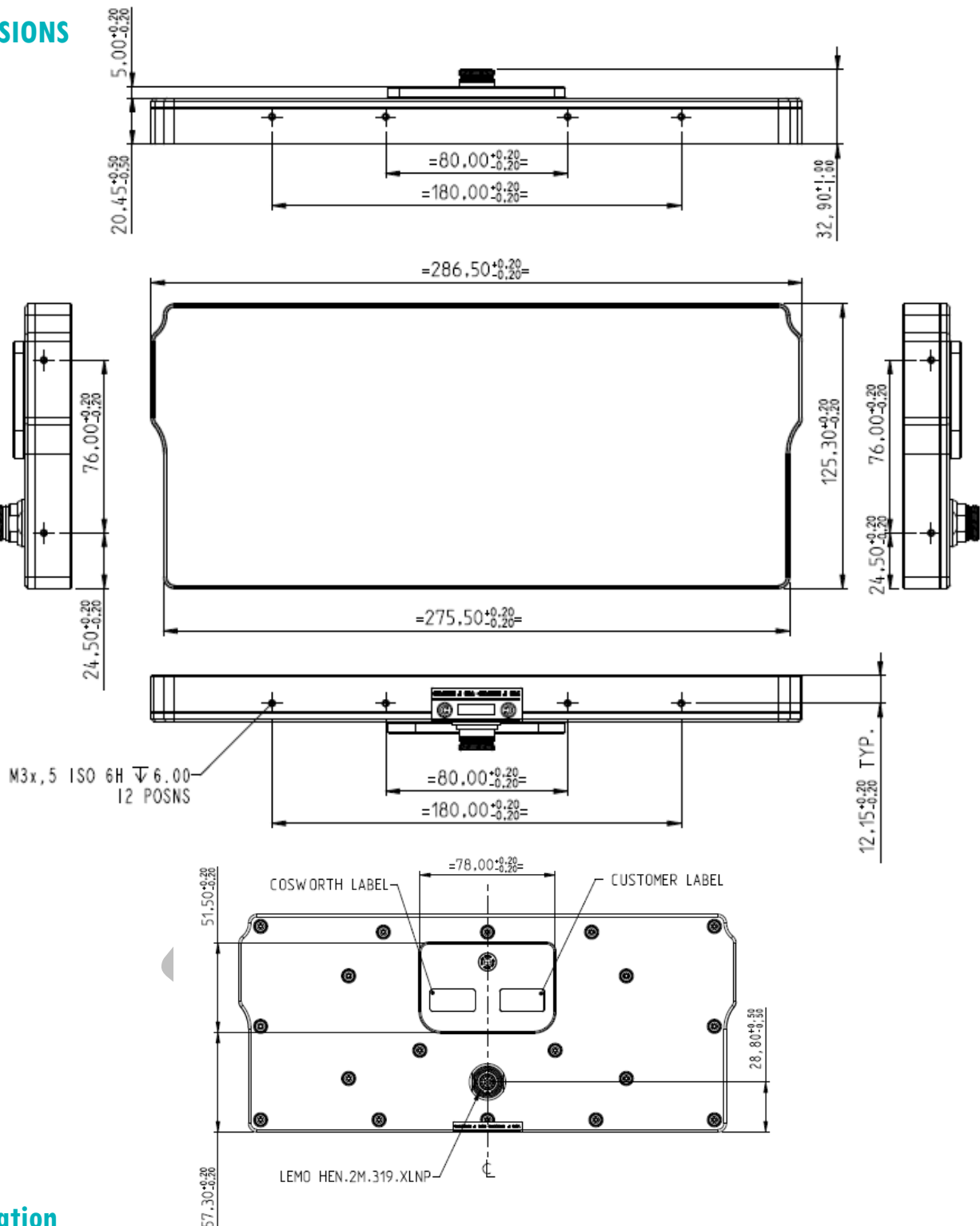


Pi Toolset

Configuration software for power control and logging

Document: 29D-640060	Template: CEL-TE012	Page 1
Rev: 0D Draft	Doc Issue: 1	All Information in this document is correct as of 2019-10-23

## DIMENSIONS



## Installation

- Ensure unit is protected against severe vibrations by mounting using supplied AV mounting kit. Also ensure unit is not fouling other structures which may experience severe vibrations.
- Ensure unit is positioned in an area with sufficient cooling air flow to prevent over heating.
- Ensure unit is mounted away from sources of electrical interference
- Ensure unit is mounted in position where unit will not come into contact with water
- Ensure the case is connected via a ground connection point.

Document: 29D-640060	Template: CEL-TE012	Page 2
Rev: 0D Draft	Doc Issue: 1	All Information in this document is correct as of 2019-10-23

## Connector Information

Please note, pin allocation is in functional order not pin number order.

### CN1

Connector	Mating Connector
HEN.2M.319.XLNP	FMN.2M.319.XLCT

## Connector Information

Pin	CDU10.3	Description
1	TX+1	Ethernet 100BaseT TX1
12	TX-1	
2	RX+1	Ethernet 100BaseT RX1
13	RX-1	
4	TX+2	Ethernet 100BaseT TX2
15	TX-2	
5	RX+2	Ethernet 100BaseT RX2
6	RX-2	
7	RS232 RX	RS232 Serial comms receive data (external to CDU)
16	RS232 DX	RS232 Serial comms transmit data (CDU to external)
8	USB VBUS	
9	USB Data +	USB Data
10	USB Data -	
17	USB Gnd	
11	BATT+	Battery Supply
18	Gnd	Grounds
19	Gnd	
3	N/A	Not available
14	N/A	

Document: 29D-640060	Template: CEL-TE012	Page 3
Rev: 0D Draft	Doc Issue: 1	All Information in this document is correct as of 2019-10-23

**Recycling and Environmental Protection**

Cosworth Electronics is committed to conducting its business in an environmentally responsible manner and strive for high environmental standards.

- **Manufacture**  
Cosworth products comply with the appropriate requirements of the Restriction of Hazardous Substance (RoHS)
- **Disposal**  
Electronic equipment should be disposed of on accordance with the regulations in force and in particular on accordance with the Waste in Electrical and Electronic Equipment directive. (WEEE).

Draft

Document: 29D-640060	Template: CEL-TE012	Page 4
Rev: 0D Draft	Doc Issue: 1	All Information in this document is correct as of 2019-10-23